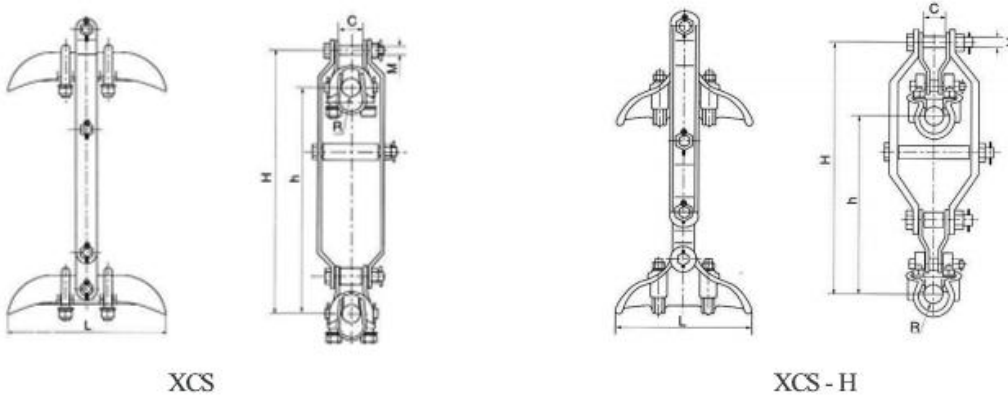


Overview



Parameter

XCS Suspension Clamp For Double Conductors

Catalog	Conductor Dia.	Dimensions(mm)						Rated Failure Load	Weight
		h	L	R	C	H	M		
No.	(mm)	h	L	R	C	H	M	(kN)	(kg)
XCS-4	21~26	400	250	13.5	20	490	18	70	9.3
XCS-5	23~33	400	300	17.0	38	490	18	100	10.8
XCS-6	34~45	400	300	23.0	38	490	18	100	12.5

The clamp body and keepers arc mallcable iron, cotter-pins are stainless steel, the other parts are steel. All ferrous parts arehot-dip galvanized.

Aluminium Alloy Suspension Clamps for Double Conductors

Catalog	Conductor Dia.	Dimensions(mm)						Rated Failure Load	Weight
		h	L	R	c	H	M		
No.	(mm)	h	L	R	c	H	M	(kN)	(kg)
XCS-4H	21.0~26.0	400	300	13.5	500	42	16	70	10.2
XCS-5H	26.0~31.5	400	300	16	510	44	18	100	11.4
XCS-6H	32.0~43.0	400	300	22	515	50	22	120	12.9

Cotter-pins are stainless steel, fasteners are hot-dip galvanind steel, the other parts are aluminium alloy.